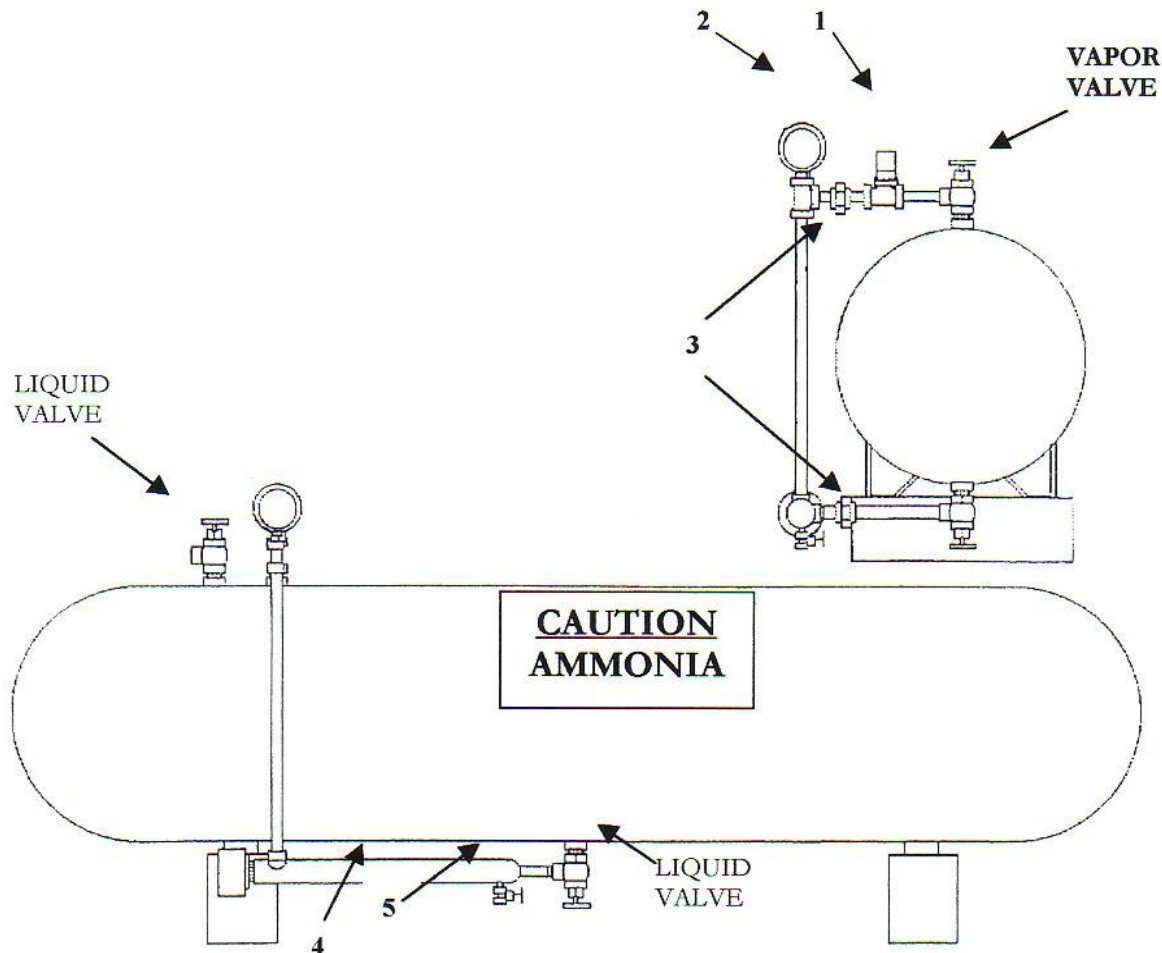


# PRODUCT PROFILE

## AMMONIA VAPORIZER WITH THERMOSTAT DRAWING



### Bill of Materials

1. 265 PSIG Vapor Relief Valve
2. Pressure Switch
3. 3/4" All Steel Union
4. Heater Housing And Element
5. 1/2" Blowdown Valve

*Note: All piping to be sched. 80 seamless black iron.*

The information on this Product Profile is based on data obtained by our own research and is considered accurate. However, no warranty is expressed or implied regarding the accuracy of this data, the results to be obtained from the use thereof, or that any such use will not infringe any patent. This information is furnished upon the condition the person receiving it shall make his own tests to determine the suitability thereof for his particular purpose. For latest product specifications, contact our nearest sales office.

Southern Calif. • San Jose, CA • San Diego, CA • Salt Lake City, UT  
Phoenix, AZ • Tucson, AZ • Portland, OR • International Sales



**Hill Brothers Chemical Co.**

Corporate Office  
1675 North Main St.  
Orange, CA 92867-3499  
(714) 998-8800  
FAX (714) 998-6310